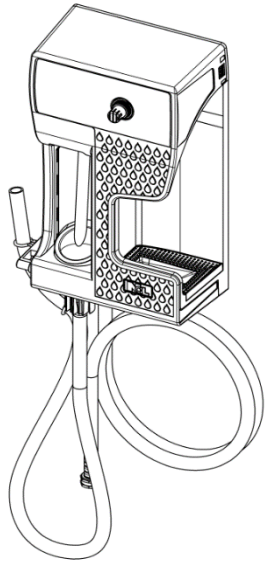


DUAL-BLEND® JR.

Modular Dispensing Unit

Part #4114



LIST OF PARTS ENCLOSED:

- (1) DUAL BLEND® Jr. Unit
- (2) Attached Water Supply Hose
- (3) Solution Supply Hoses for Spray Bottle Filling and Mop/Bucket or Auto Scrubber Filling
- (4) Mounting Hardware

Installation and Setup Guide

The NCL DUAL BLEND® Jr. Modular Dispensing Unit accurately blends proportioned chemical with water for cleaning, Disinfecting or other needs. The dispensing system uses a water valve designed for easy maintenance. The NCL DUAL BLEND® Jr. Modular Dispensing Unit makes maintenance personnel more efficient, filling bottles and buckets with quickly with ease.

Warning



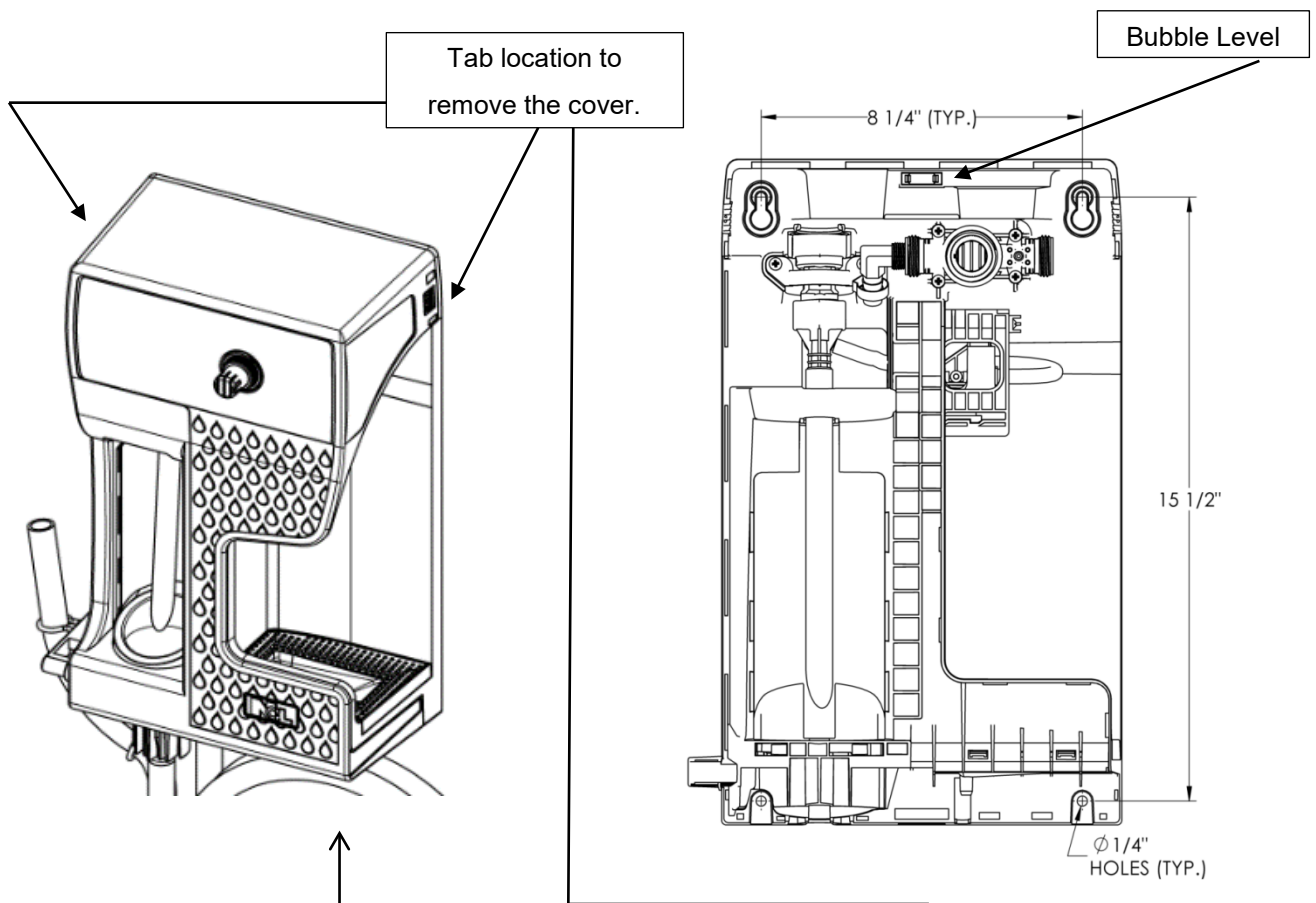
All installations must conform to local plumbing codes and use approved backflow prevention devices. A pressure indicating tee is to be installed with existing faucets according to local plumbing codes in the state of Wisconsin and any other state that requires the use of a pressure indicating tee.



ALWAYS WEAR PROTECTIVE CLOTHING AND EYEWEAR WHEN WORKING WITH CHEMICAL PRODUCTS.

Installation and Service

- 1) Identify the desired location of the dispenser. Keep in mind the following:
 - a) Mount DUAL BLEND® Jr. Unit near or over the mop sink.
 - b) Position the bottom of the dispenser greater than 48 inches from the floor.
 - c) Locate the dispenser within close proximity to a suitable water supply.
- 2) Remove the burgundy dispenser cover by pressing in the tabs on the upper left and right sides, and the underside center of the dispenser.
- 3) Locate the upper two key shaped mounting holes in the back plate. Mount the NCL DUAL BLEND® Jr. using the mounting screws and anchors that are included in the installation kit; with the aid of the integrated bubble level.
- 4) Connect the black garden hose that is attached to back of the dispenser to the water supply source.
 - a) Note: The water pressure must be between 20psi and 80psi. Optimum chemical induction occurs between 30psi – 60psi.



Operation

Dispenser Activation Points – Bottle Fill

1. To fill a bottle, place the dispenser outlet tube into the bottle and push the activation button until the bottle is nearly full.
2. Release the activation button, and slowly lower the bottle from the outlet tube.

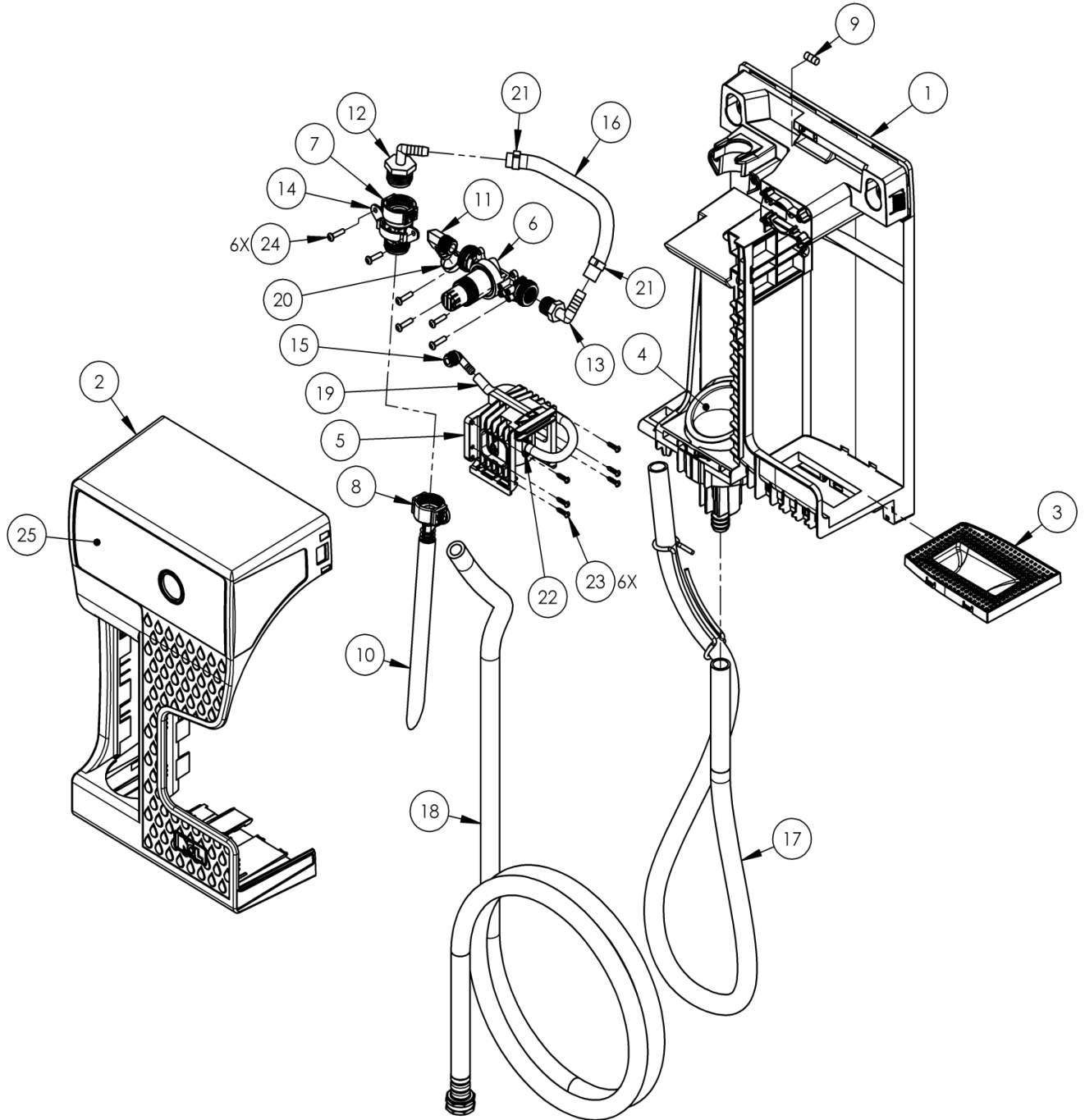
Dispenser Activation Points – Bucket Fill

1. When filling a bucket, disengage the bucket fill hose from the left side of the dispenser.
2. Grasp the bottom of the Switch-Over Funnel, pushing up slightly, and twisting it to the right, until it locks into position.
3. Direct the outlet tube into a bucket and press the activation button to start filling.
4. To stop filling, release the activation button.

To prevent accidental overflow, filling will stop when the activation button is released. The activation button can be converted to lock-on by removing the small tab on the side of the button.

- For lock-on operation: Push the button and turn it a 1/4 turn clockwise to lock the activation button in the on position. This allows for filling large containers more easily. Turning the button in a counterclockwise direction will release it, allowing the valve to shut off.
- When using the lock-on feature, do not leave the dispenser unattended while filling.

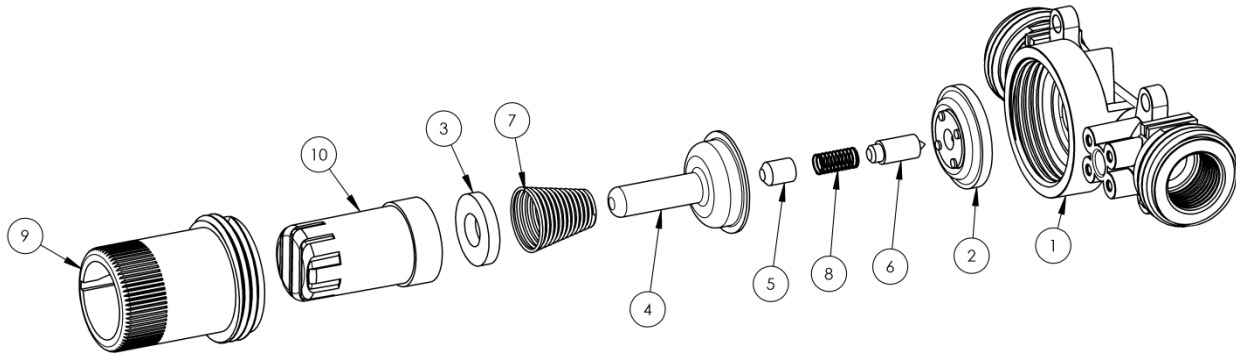
Parts List



Parts List

DISPENSER REPLACEMENT PARTS			
ITEM NO.	QTY.	NCL NO.	DESCRIPTION
1	1	NDBJ 41447.1	BASE BACK PLATE
2	1	NDBJ 41448.1	COVER
3	1	NDBJ 41450.1	ANTI-SKID TRAY
4	1	NDBJ 41449.1	SWITCH-OVER FUNNEL
5	1	NDBJ 56.25.12	DOCKING ASSEMBLY
6	1	NDBJ X41454.1	VALVE ASSEMBLY
7	1	NDBJ 16.3	ACTION GAP
8	1	NDBJ 163M.NB	PROPORTIONER ASSEMBLY
9	1	NDBJ 40.970.1	BUBBLE LEVEL
10	1	NDBJ 98.42.8	TUBING, 1/2" ID X 8-3/4" LG.
11	1	NDBJ 66.241	ELBOW, 3/8" NPT X 1/2" BARB
12	1	NDBJ 14.7.3	BARB, 90 DEGREE, MGH X 3/8"
13	1	NDBJ 14.9.2	ELBOW, 3/8" NPT X 3/8" BARB
14	1	NDBJ 11.70	STRAP, PROPORTIONER
15	1	NDBJ 63.79	INLET BARB
16	1	NDBJ 66.98.15	3/8 ID X 8-3/4 L NYLON BRAIDED TUBING
17	1	NDBJ X41452.1	HANGAR & TUBE ASSEMBLY
18	1	NDBJ 44.3.7FCO	HOSE ASSEMBLY (1/2" ID X 7 FT. LG.)
19	1	NDBJ 25.300.69	SUPER TUBE, 3/8" OD X 1/8" ID X 9-3/8" LG.
20	1	NDBJ 14.20.8	OETIKER CLAMP, .701-.827
21	2	NDBJ 14.20.4	REMOVEABLE CLAMP, HOSE (.563 - .661)
22	1	NDBJ 40.397.2	SPRING HOSE CLAMP, HOSE (.41 O.D.)
23	6	NDBJ 81.18.3	#6-19 HI-LO SCREW X 5/8" LG
24	6	NDBJ 44.116.5	#8 HI-LO SCREW X 3/4" LG.
25	1	NDBJ L2071	COVER LABEL

Parts List



VALVE REPLACEMENT PARTS			
ITEM NO.	QTY.	NCL NO.	DESCRIPTION
1	1	NDBJ 40.083.2	VALVE BODY
2	1	NDBJ 41.15.10	1-1/16" DIAPHRAGM
3	1	NDBJ 63.35	MAGNET
4	1	NDBJ 41.7.25	ENCLOSING TUBE
5	1	NDBJ 63.37	TUBE SPACER
6	1	NDBJ 63.38	PLUNGER
7	1	NDBJ 63.36	CLOSING SPRING
8	1	NDBJ 41.1.8	KICK-OFF SPRING
9	1	NDBJ 66.139.6	633 MAGNET HOUSING (BLACK)
10	1	NDBJ 66.140.5	PUSH BUTTON, BLACK

Specifications

- Operation Pressure Rating: 20psi – 80psi
- Safety Pressure Rating: 125psi
- Water Temperature Rating: 45°F (7°C) – 125°F (50°C) Max
- Back Flow Protection – ASSE 1055 Action Gap
- Package Size (Carton): 9”H x 16”W x 23”L
- Package Weight: 11.5 Lbs.

Warranty

Merchandise Returns

No merchandise will be returned for credit without NCL's written permission. Please contact your dealer for warranty issues.

Product Warranty

The NCL DUAL BLEND[®] Jr. Modular Dispensing Unit is warranted against defective material and workmanship under normal use and service for one year from the date of manufacture. This limited warranty does not apply to any products that have a normal life shorter than one year or failure and damage caused by chemicals, corrosion, physical abuse, or misapplication. Rubber and synthetic rubber parts such as “O”-rings, diaphragms, PVC tubing, and gaskets are considered expendable and are not covered under warranty. This warranty is extended only to the original buyer of NCL products. If products are altered or repaired without prior approval of NCL, this warranty is void.

Defective units or parts should be returned to the factory with transportation prepaid. If inspection shows them to be defective, they will be repaired or replaced without charge, F.O.B. factory. NCL assumes no liability for damages. Return merchandise authorization number must be granted in advance of returned units for repair or replacement (See “Merchandise Returns” above).